

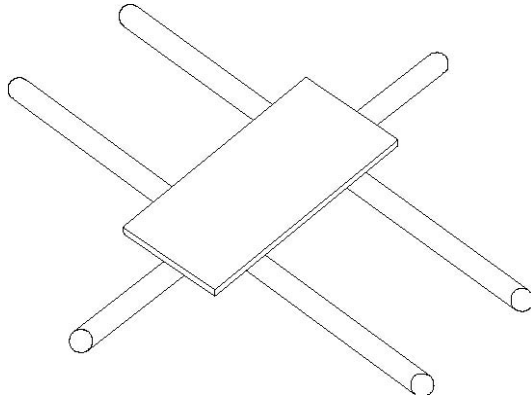
## Building a Sedan Chair

All chairs need to meet the following criteria or they will not be allowed to take part in the race;

- **Safety** – Everyone must be safe, that includes the team carrying the chair and fellow competitors.
- **Strength** – the people carrying the chair need to be able to carry it safely!
- **Stability** - should be stable when carrying (Make sure the people that carry it are around the same sort of build and height).
- **Weight** - You have to carry it and a person (plus any decoration) for the distance of the race

### The Frame

A typical design for a chair frame is a seat supported by two poles on either side running back to front and one running side to side – as shown below.



This allows 4 to 6 people to carry. One person each side, one or two at front and back. This combination gives good stability – but can be wide and less manoeuvrable through trees.

Try out design using quick lash ups before spending lots of time.

### Decorations

Keep it light in weight.

The person inside needs to be able to get in or out easily.